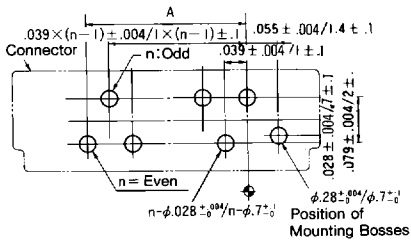
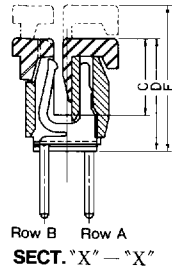
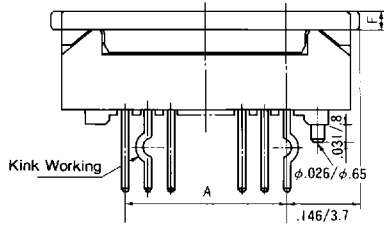
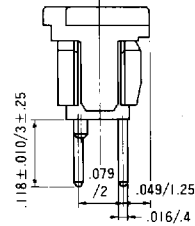
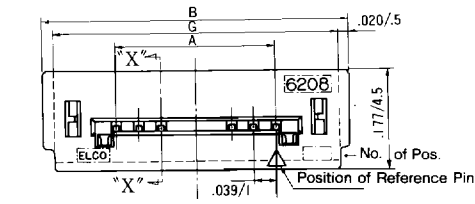


1,00 mm Spacing

SERIES 6208

Through-Hole Vertical ZIF



Mounting Hole Pattern (Connector Mounting Side)
Recommended P.C. Board Thickness (t=.047/1.2~.063/1.6)

Specifications:

- Number of Contacts - 5-30
- Tray Packaged
- Current Rating - 1.0 amp max.
- Voltage - 50 V
- Dielectric Withstanding Voltage - 500 V RMS min.
- Operating Temperature - (-30°C ~ +85°C)
- Contact Material - phosphor bronze (tin-lead plated)
- Slider Material - PPS (UL 94 V-O)
- Insulator Material - glass-filled nylon or PPS (UL 94 V-O)
- Profile Height - See "D" dimension.
- FFC / FPC Thickness - 0.3±0.05 mm (.012±.002")
- PCB Thickness - 1.2 ~ 1.6 mm .047 ~ .063"

| No. of Pos. | A | B | C | D | (E) (Ref Only) | F | G |
|-------------|------------|------------|----------|----------|-------------------|----------|------------|
| 05 | .157/ 4.0 | .449/ 11.4 | .134/3.4 | .197/5.0 | (2.56)/(6.5) | .031/ .8 | .409/10.4 |
| 06 | .197/ 5.0 | .488/12.4 | .134/3.4 | .197/5.0 | (2.56)/(6.5) | .031/ .8 | .449/11.4 |
| 07 | .236/ 6.0 | .528/13.4 | .134/3.4 | .197/5.0 | (2.56)/(6.5) | .031/ .8 | .488/12.4 |
| 08 | .276/ 7.0 | .567/14.4 | .134/3.4 | .197/5.0 | (2.56)/(6.5) | .031/ .8 | .528/13.4 |
| 09 | .315/ 8.0 | .606/15.4 | .134/3.4 | .197/5.0 | (2.56)/(6.5) | .031/ .8 | .567/14.4 |
| 10 | .354/ 9.0 | .646/16.4 | .134/3.4 | .197/5.0 | (2.56)/(6.5) | .031/ .8 | .606/15.4 |
| 11 | .394/10.0 | .685/17.4 | .134/3.4 | .197/5.0 | (2.56)/(6.5) | .031/ .8 | .646/16.4 |
| 12 | .433/11.0 | .724/18.4 | .134/3.4 | .197/5.0 | (2.56)/(6.5) | .031/ .8 | .685/17.4 |
| 13 | .472/12.0 | .764/19.4 | .134/3.4 | .197/5.0 | (2.56)/(6.5) | .031/ .8 | .724/18.4 |
| 14 | .512/13.0 | .803/20.4 | .134/3.4 | .197/5.0 | (2.56)/(6.5) | .031/ .8 | .764/19.4 |
| 15 | .551/14.0 | .843/21.4 | .134/3.4 | .197/5.0 | (2.56)/(6.5) | .031/ .8 | .803/20.4 |
| 16 | .591/15.0 | .882/22.4 | .134/3.4 | .197/5.0 | (2.56)/(6.5) | .031/ .8 | .843/21.4 |
| 17 | .630/16.0 | .921/23.4 | .134/3.4 | .197/5.0 | (2.56)/(6.5) | .031/ .8 | .882/22.4 |
| 18 | .669/17.0 | .961/24.4 | .134/3.4 | .197/5.0 | (2.56)/(6.5) | .031/ .8 | .921/23.4 |
| 19 | .709/18.0 | 1.000/25.4 | .134/3.4 | .197/5.0 | (2.56)/(6.5) | .031/ .8 | .961/24.4 |
| 20 | .748/19.0 | 1.039/26.4 | .134/3.4 | .197/5.0 | (2.56)/(6.5) | .031/ .8 | 1.000/25.4 |
| 21 | .787/20.0 | 1.079/27.4 | .142/3.6 | .205/5.2 | (2.64)/(6.7) | .039/1.0 | 1.039/26.4 |
| 22 | .827/21.0 | 1.118/28.4 | .142/3.6 | .205/5.2 | (2.64)/(6.7) | .039/1.0 | 1.079/27.4 |
| 23 | .866/22.0 | 1.157/29.4 | .142/3.6 | .205/5.2 | (2.64)/(6.7) | .039/1.0 | 1.118/28.4 |
| 24 | .906/23.0 | 1.197/30.4 | .142/3.6 | .205/5.2 | (2.64)/(6.7) | .039/1.0 | 1.157/29.4 |
| 25 | .945/24.0 | 1.236/31.4 | .142/3.6 | .205/5.2 | (2.64)/(6.7) | .039/1.0 | 1.197/30.4 |
| 26 | .984/25.0 | 1.276/32.4 | .154/3.9 | .217/5.5 | (2.76)/(7.0) | .051/1.3 | 1.236/31.4 |
| 27 | 1.024/26.0 | 1.315/33.4 | .154/3.9 | .217/5.5 | (2.76)/(7.0) | .051/1.3 | 1.276/32.4 |
| 28 | 1.063/27.0 | 1.354/34.4 | .154/3.9 | .217/5.5 | (2.76)/(7.0) | .051/1.3 | 1.315/33.4 |
| 29 | 1.102/28.0 | 1.394/35.4 | .154/3.9 | .217/5.5 | (2.76)/(7.0) | .051/1.3 | 1.354/34.4 |
| 30 | 1.142/29.0 | 1.433/36.4 | .154/3.9 | .217/5.5 | (2.76)/(7.0) | .051/1.3 | 1.394/35.4 |

Dimensions inches / mm

ORDERING CODE

Typical Example

00 6208 000 105 001

TRAY PACK

VARIATION CODE

- 0: With Kink
- 1: Without Kink

VARIATION CODE

- 0: Without Boss
- 1: With Boss (1 place)

NUMBER OF CONTACTS

5 ~ 30

0: PPS- Black

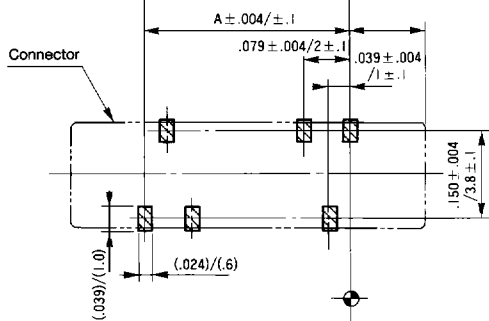
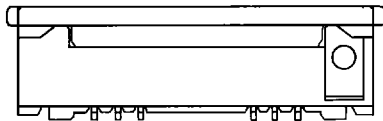
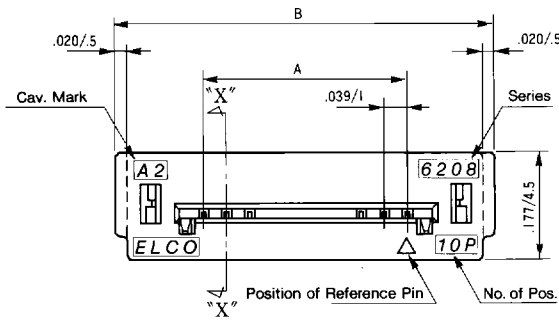
1: Nylon- Red/Brown

Note: Drawings are in inches/millimeters.

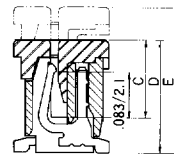
1,00 mm Spacing

SERIES 6208

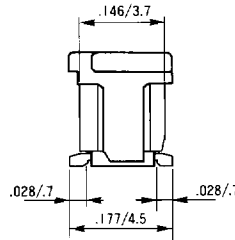
Surface Mount without Boss Vertical ZIF



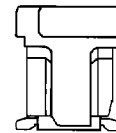
Mounting Hole Pattern (Connector Mounting Side)



SECT. "X" - "X"



(5~12 Contacts)



(13~25 Contacts)

Specifications:

- Number of Contacts - 5~26
27~30 Available with Wider Slider
Consult factory for larger sizes.
- 500 or 1000 Connectors per Tape & Reel or Tray (See page 24.)
- Current Rating - 1.0 amp max.
- Voltage - 50 V
- Dielectric Withstanding Voltage - 500 V RMS min.
- Operating Temperature - (-30°C ~ +85°C)
- Contact Material - phosphor bronze (tin-lead plated)
- Slider Material -PPS (UL 94 V-O)
Color - Black
- Insulator Material -PPS (UL 94 V-O)
Color - Black
- Profile Height - See "D" dimension.
- FFC / FPC Thickness - 0,3±0,05 mm (.012±.002")

| No. of Pos | A | B | C | D | E (Ref. Only) | F |
|------------|-----------|------------|----------|----------|---------------|----------|
| 05 | .157/ 4.0 | .449/11.4 | .134/3.4 | .197/5.0 | (.256)/(6.5) | .031/ .8 |
| 06 | .197/ 5.0 | .488/12.4 | .134/3.4 | .197/5.0 | (.256)/(6.5) | .031/ .8 |
| 07 | .236/ 6.0 | .528/13.4 | .134/3.4 | .197/5.0 | (.256)/(6.5) | .031/ .8 |
| 08 | .276/ 7.0 | .567/14.4 | .134/3.4 | .197/5.0 | (.256)/(6.5) | .031/ .8 |
| 09 | .315/ 8.0 | .606/15.4 | .134/3.4 | .197/5.0 | (.256)/(6.5) | .031/ .8 |
| 10 | .354/ 9.0 | .646/16.4 | .134/3.4 | .197/5.0 | (.256)/(6.5) | .031/ .8 |
| 11 | .394/10.0 | .685/17.4 | .134/3.4 | .197/5.0 | (.256)/(6.5) | .031/ .8 |
| 12 | .433/11.0 | .724/18.4 | .134/3.4 | .197/5.0 | (.256)/(6.5) | .031/ .8 |
| 13 | .472/12.0 | .764/19.4 | .134/3.4 | .197/5.0 | (.256)/(6.5) | .031/ .8 |
| 14 | .512/13.0 | .803/20.4 | .134/3.4 | .197/5.0 | (.256)/(6.5) | .031/ .8 |
| 15 | .551/14.0 | .843/21.4 | .134/3.4 | .197/5.0 | (.256)/(6.5) | .031/ .8 |
| 16 | .591/15.0 | .882/22.4 | .134/3.4 | .197/5.0 | (.256)/(6.5) | .031/ .8 |
| 17 | .630/16.0 | .921/23.4 | .134/3.4 | .197/5.0 | (.256)/(6.5) | .031/ .8 |
| 18 | .669/17.0 | .961/24.4 | .134/3.4 | .197/5.0 | (.256)/(6.5) | .031/ .8 |
| 19 | .709/18.0 | 1.000/25.4 | .134/3.4 | .197/5.0 | (.256)/(6.5) | .031/ .8 |
| 20 | .748/19.0 | 1.039/26.4 | .134/3.4 | .197/5.0 | (.256)/(6.5) | .031/ .8 |
| 21 | .787/20.0 | 1.079/27.4 | .142/3.6 | .205/5.2 | (.264)/(6.7) | .039/1.0 |
| 22 | .827/21.0 | 1.118/28.4 | .142/3.6 | .205/5.2 | (.264)/(6.7) | .039/1.0 |
| 23 | .866/22.0 | 1.157/29.4 | .142/3.6 | .205/5.2 | (.264)/(6.7) | .039/1.0 |
| 24 | .906/23.0 | 1.197/30.4 | .142/3.6 | .205/5.2 | (.264)/(6.7) | .039/1.0 |
| 25 | .945/24.0 | 1.236/31.4 | .142/3.6 | .205/5.2 | (.264)/(6.7) | .039/1.0 |
| 26 | .984/25.0 | 1.276/32.4 | .154/3.9 | .217/5.5 | (.276)/(7.0) | .051/1.3 |

Dimensions inches / mm

ORDERING CODE

Typical Example

00 6208 500 005 000

TRAYPACK PACKAGING

See page 25 FOR TAPE AND REEL

VARIATION CODE

500: SMT Type Without Boss

NUMBER OF CONTACTS

5 ~ 26

27 ~ 30, 40 (Contact factory for Availability)

O: Standard FFC/FPC

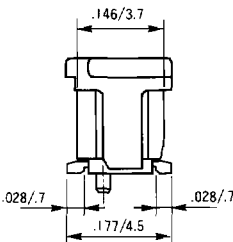
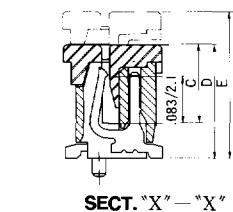
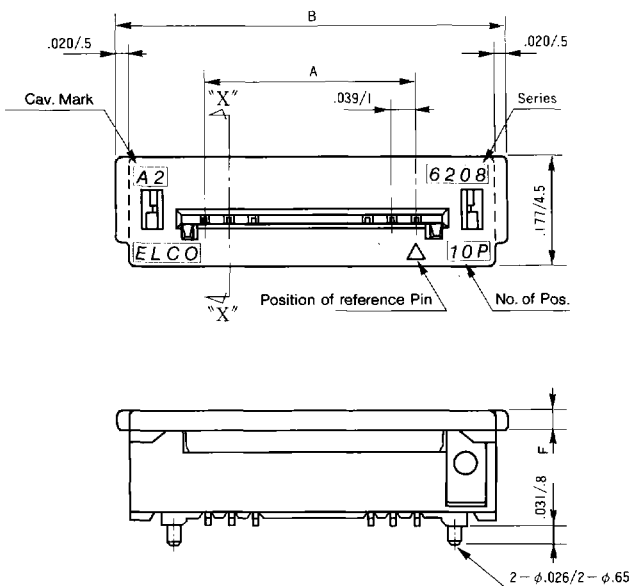
9: Carbon Past Contact Membrane Flex

Note: Drawings are in inches/millimeters.

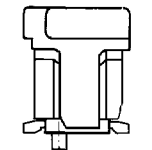
1,00 mm Spacing

SERIES 6208

Surface Mount with Boss Vertical ZIF



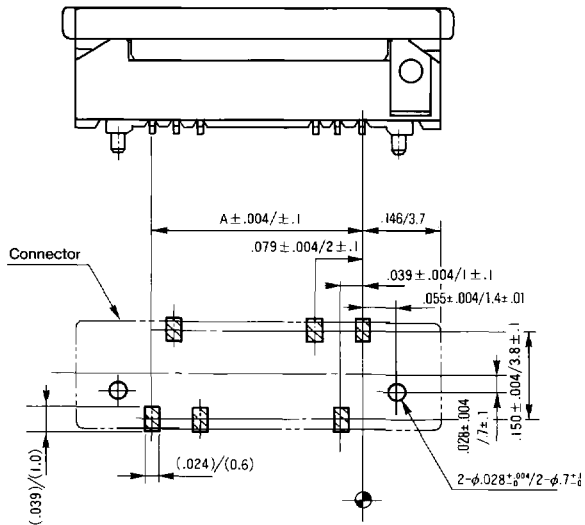
(5~12 Contacts)



(13~25 Contacts)

Specifications:

- Number of Contacts - 5~26
- Tray Packaged
- Voltage - 50 V
- Current Rating - 1.0 amp max.
- Dielectric Withstanding Voltage - 500 V RMS min.
- Operating Temperature - (-30°C ~ +85°C)
- Contact Material - phosphor bronze (tin-lead plated)
- Slider Material - PPS (UL 94 V-O)
Color - Black
- Insulator Material - PPS (UL 94 V-O)
Color - Black
- Profile Height - See "D" dimension.
- FFC / FPC Thickness - 0,3±0,05 mm (.012±.002")



Mounting Hole Pattern (Connector Mounting Side)

| No. of Pos. | A | B | C | D | E | F |
|-------------|-----------|------------|----------|----------|--------------|----------|
| 05 | .157/ 4.0 | .449/11.4 | .134/3.4 | .197/5.0 | (.256)/(6.5) | .031/ .8 |
| 06 | .197/ 5.0 | .488/12.4 | .134/3.4 | .197/5.0 | (.256)/(6.5) | .031/ .8 |
| 07 | .236/ 6.0 | .528/13.4 | .134/3.4 | .197/5.0 | (.256)/(6.5) | .031/ .8 |
| 08 | .276/ 7.0 | .567/14.4 | .134/3.4 | .197/5.0 | (.256)/(6.5) | .031/ .8 |
| 09 | .315/ 8.0 | .606/15.4 | .134/3.4 | .197/5.0 | (.256)/(6.5) | .031/ .8 |
| 10 | .354/ 9.0 | .646/16.4 | .134/3.4 | .197/5.0 | (.256)/(6.5) | .031/ .8 |
| 11 | .394/10.0 | .685/17.4 | .134/3.4 | .197/5.0 | (.256)/(6.5) | .031/ .8 |
| 12 | .433/11.0 | .724/18.4 | .134/3.4 | .197/5.0 | (.256)/(6.5) | .031/ .8 |
| 13 | .472/12.0 | .764/19.4 | .134/3.4 | .197/5.0 | (.256)/(6.5) | .031/ .8 |
| 14 | .512/13.0 | .803/20.4 | .134/3.4 | .197/5.0 | (.256)/(6.5) | .031/ .8 |
| 15 | .551/14.0 | .843/21.4 | .134/3.4 | .197/5.0 | (.256)/(6.5) | .031/ .8 |
| 16 | .591/15.0 | .882/22.4 | .134/3.4 | .197/5.0 | (.256)/(6.5) | .031/ .8 |
| 17 | .630/16.0 | .921/23.4 | .134/3.4 | .197/5.0 | (.256)/(6.5) | .031/ .8 |
| 18 | .669/17.0 | .961/24.4 | .134/3.4 | .197/5.0 | (.256)/(6.5) | .031/ .8 |
| 19 | .709/18.0 | 1.000/25.4 | .134/3.4 | .197/5.0 | (.256)/(6.5) | .031/ .8 |
| 20 | .748/19.0 | 1.039/26.4 | .134/3.4 | .197/5.0 | (.256)/(6.5) | .031/ .8 |
| 21 | .787/20.0 | 1.079/27.4 | .142/3.6 | .205/5.2 | (.264)/(6.7) | .039/1.0 |
| 22 | .827/21.0 | 1.118/28.4 | .142/3.6 | .205/5.2 | (.264)/(6.7) | .039/1.0 |
| 23 | .866/22.0 | 1.157/29.4 | .142/3.6 | .205/5.2 | (.264)/(6.7) | .039/1.0 |
| 24 | .906/23.0 | 1.197/30.4 | .142/3.6 | .205/5.2 | (.264)/(6.7) | .039/1.0 |
| 25 | .945/24.0 | 1.236/31.4 | .142/3.6 | .205/5.2 | (.264)/(6.7) | .039/1.0 |
| 26 | .984/25.0 | 1.276/32.4 | .154/3.9 | .217/5.5 | (.276)/(7.0) | .051/1.3 |

Dimensions inches / mm

ORDERING CODE

Typical Example

00 6208 520 005 000

VARIATION CODE

520: SMT Type With Boss (2 places)

NUMBER OF CONTACTS

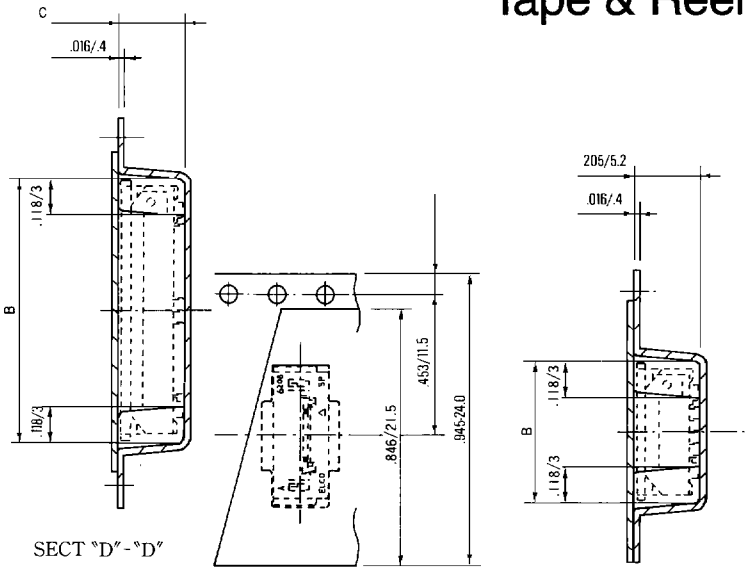
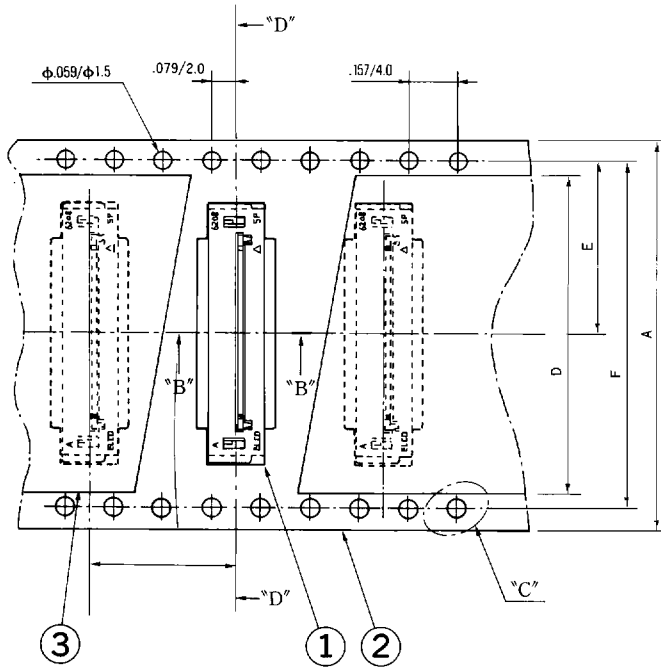
5~26

27~30, 40 (Contact factory for Availability)

1,00 mm Spacing

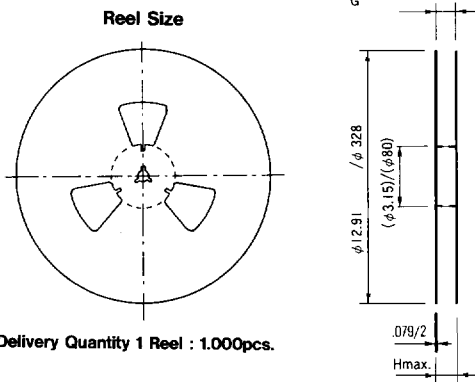
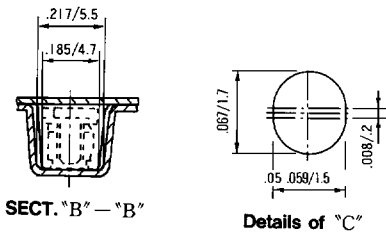
SERIES 6208

Tape & Reel



- ① Connector
- ② Emboss Tape: Polystyrene (Transparency)
- ③ Top Tape: Polyester $t=.00295 \pm .0004 / 75 \mu\text{m} \pm 10 \mu\text{m}$

.945/24mm in Width



Delivery Quantity 1 Reel : 1.000pcs.

| No. of Pos. | A Tape Width | Tape Width Variation No. | B | C | D | E | F | G | H |
|-------------|--------------|--------------------------|------------|----------|------------|-----------|------------|------------|------------|
| 05 | .945/24.0 | 1 | .457/11.6 | .205/5.2 | .846/21.5 | .453/11.5 | | .961/24.4 | 1.197/30.4 |
| 06 | .945/24.0 | 1 | .496/12.6 | .205/5.2 | .846/21.5 | .453/11.5 | | .961/24.4 | 1.197/30.4 |
| 07 | .945/24.0 | 1 | .535/13.6 | .205/5.2 | .846/21.5 | .453/11.5 | | .961/24.4 | 1.197/30.4 |
| 08 | .945/24.0 | 1 | .575/14.6 | .205/5.2 | .846/21.5 | .453/11.5 | | .961/24.4 | 1.197/30.4 |
| 09 | .945/24.0 | 1 | .614/15.6 | .205/5.2 | .846/21.5 | .453/11.5 | | .961/24.4 | 1.197/30.4 |
| 10 | .945/24.0 | 1 | .654/16.6 | .205/5.2 | .846/21.5 | .453/11.5 | | .961/24.4 | 1.197/30.4 |
| 11 | 1.260/32.0 | 2 | .693/17.6 | .205/5.2 | 1.028/26.1 | .559/14.2 | 1.118/28.4 | 1.276/32.4 | 1.512/38.4 |
| 12 | 1.260/32.0 | 2 | .732/18.6 | .205/5.2 | 1.028/26.1 | .559/14.2 | 1.118/28.4 | 1.276/32.4 | 1.512/38.4 |
| 13 | 1.260/32.0 | 2 | .772/19.6 | .205/5.2 | 1.028/26.1 | .559/14.2 | 1.118/28.4 | 1.276/32.4 | 1.512/38.4 |
| 14 | 1.260/32.0 | 2 | .811/20.6 | .205/5.2 | 1.028/26.1 | .559/14.2 | 1.118/28.4 | 1.276/32.4 | 1.512/38.4 |
| 15 | 1.260/32.0 | 2 | .850/21.6 | .205/5.2 | 1.028/26.1 | .559/14.2 | 1.118/28.4 | 1.276/32.4 | 1.512/38.4 |
| 16 | 1.260/32.0 | 2 | .890/22.6 | .205/5.2 | 1.028/26.1 | .559/14.2 | 1.118/28.4 | 1.276/32.4 | 1.512/38.4 |
| 17 | 1.732/44.0 | 3 | .929/23.6 | .205/5.2 | 1.457/37.0 | .765/20.2 | 1.591/40.4 | 1.748/44.4 | 1.984/50.4 |
| 18 | 1.732/44.0 | 3 | .969/24.6 | .205/5.2 | 1.457/37.0 | .765/20.2 | 1.591/40.4 | 1.748/44.4 | 1.984/50.4 |
| 19 | 1.732/44.0 | 3 | 1.008/25.6 | .205/5.2 | 1.457/37.0 | .765/20.2 | 1.591/40.4 | 1.748/44.4 | 1.984/50.4 |
| 20 | 1.732/44.0 | 3 | 1.047/26.6 | .205/5.2 | 1.457/37.0 | .765/20.2 | 1.591/40.4 | 1.748/44.4 | 1.984/50.4 |
| 21 | 1.732/44.0 | 3 | 1.087/27.6 | .213/5.4 | 1.457/37.0 | .765/20.2 | 1.591/40.4 | 1.748/44.4 | 1.984/50.4 |
| 22 | 1.732/44.0 | 3 | 1.126/28.6 | .213/5.4 | 1.457/37.0 | .765/20.2 | 1.591/40.4 | 1.748/44.4 | 1.984/50.4 |
| 23 | 1.732/44.0 | 3 | 1.165/29.6 | .213/5.4 | 1.457/37.0 | .765/20.2 | 1.591/40.4 | 1.748/44.4 | 1.984/50.4 |
| 24 | 1.732/44.0 | 3 | 1.205/30.6 | .213/5.4 | 1.457/37.0 | .765/20.2 | 1.591/40.4 | 1.748/44.4 | 1.984/50.4 |
| 25 | 1.732/44.0 | 3 | 1.244/31.6 | .213/5.4 | 1.457/37.0 | .765/20.2 | 1.591/40.4 | 1.748/44.4 | 1.984/50.4 |
| 26 | 1.732/44.0 | 3 | 1.283/32.6 | .224/5.7 | 1.457/37.0 | .765/20.2 | 1.591/40.4 | 1.748/44.4 | 1.984/50.4 |

Dimensions inches/mm

ORDERING CODE

Typical Example

00 6208 505 110 000

TAPE AND REEL PACKAGING

For SMT With out Boss

NUMBER OF CONTACTS

5~26

TAPE WIDTH VARIATION CODE

1: .945"/24mm 2: 1.260"/32mm 3: 1.732"/44mm

FLEX TYPE

0: Standard FFC/FPC Flex 9: Carbon Paste for Membrane Flex

1000 per reel